

**SAFETY EQUIPMENT****EQUIPMENT FOR VOLTAGES UP TO 1000 V****Earthing Handle****For use in low-voltage installations**

T pin shaft, DIN 48087

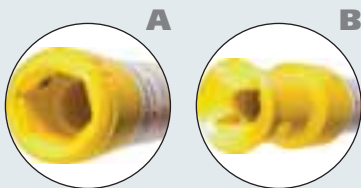


Installation of an earthing and short-circuiting device into a low-voltage switchgear installation using an earthing handle

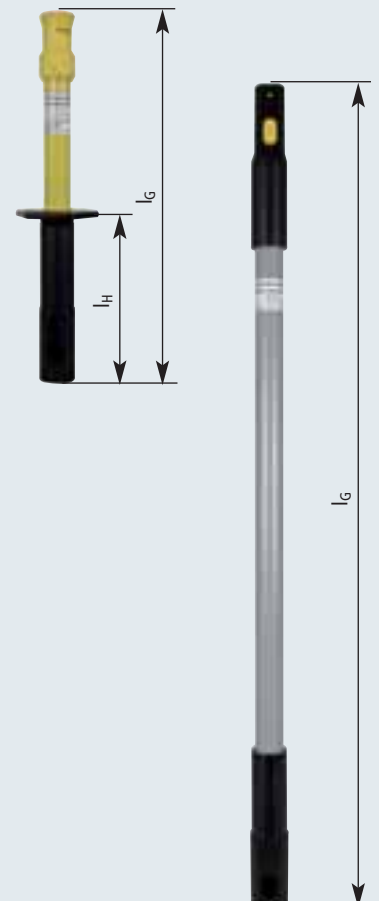
- For installation of earthing and short-circuiting devices into low-voltage installations
- Sealing unit with plug-in coupling for handle extension
- Light-weight construction
- Hexagon shaft (width across flats 19) or T pin shaft

**Technical Data**

Insulating tube	Glass-fibre-reinforced polyester tube, Ø30 mm, yellow
Clamp coupling	Plastic, yellow
Sealing unit	Plug-in coupling for extending the handle
Handguard	Plastic, black
Operating temperature range	- 25° C ... + 55° C



Type	Total length $l_G$	Handle length $l_H$	Part No.
<b>A STK Earthing Rod, Hexagon Shaft</b> Spring locking mechanism and plug-in coupling for extending the handle			
EG SK STK 400	400 mm	185 mm	745 415 <b>new</b>
<b>B STK Earthing Rod, T Pin Shaft</b> Bayonet locking mechanism and plug-in coupling for extending the handle			
EG SQ STK 400	400 mm	185 mm	745 414 <b>new</b>

**Accessories for Earthing Handle****HV STK Extension Handle**

Plug-in coupling at both ends for extending the handle

Type	Diameter	Total length $l_G$	Part No.
HV STK 30 710	30 mm	710 mm	766 335