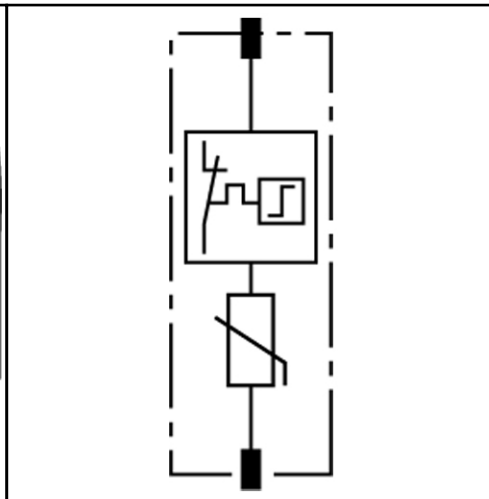
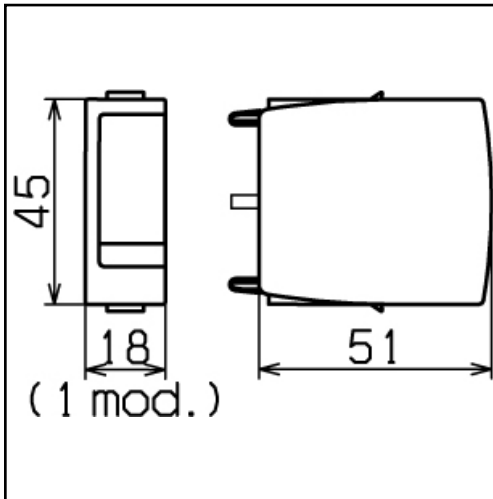


SPDS TYPE 2

DG MOD 75



Dimension drawing DG MOD varistor-based protection module

Basic circuit diagram DG MOD varistor-based protection module

DG MOD ...: Varistor-based protection module for DEHNgard M ... and DEHNgard S ... surge arresters

- **High discharge capacity due to powerful zinc oxide varistors/spark gaps**
- **High reliability due to "Thermo Dynamic Control"**
- **Energy-coordinated within the Red/Line product family**
- **Operating state/fault indication by mark in the inspection window**
- **Allows for easy module exchange without tools by module locking system with releasing button**
- **Tested for vibration- and shock-proofness acc. to EN 6068-2**

DG MOD 75	
Nominal discharge current (8/20 µs) [I _n]	10 kA
Max. discharge current (8/20 µs) [I _{max}]	40 kA
Max. continuous ac voltage [U _C]	75 V
Max. continuous dc voltage [U _C]	100 V
Ordering information	
Type	DG MOD 75
Part No.	952 011
Packing unit	1 pcs.

Change in form and technology, with masses, weights and materials we reserve ourselves in the sense of the progress of the technology. The illustrations are noncommittal.