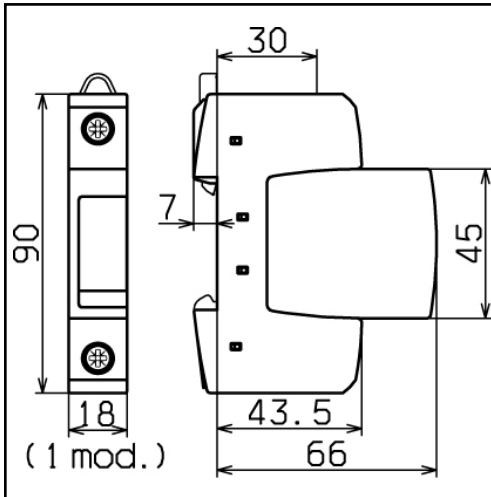
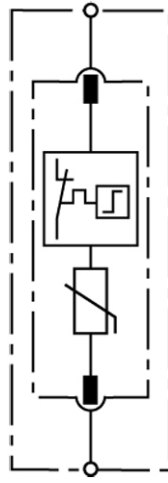


SPDS TYPE 2

DG S 600



Dimension drawing DG S ...



Basic circuit diagram DG S ...



DG S ...: Single-pole pluggable surge arrester consisting of a base part and plug-in protection module

- High discharge capacity due to powerful zinc oxide varistor
- Quick response
- Universal surge arrester consisting of a base element and plug-in protection component
- High reliability due to "Thermo Dynamic Control" SPD monitoring device
- Energy-coordinated within the Red/Line product family
- Operating state/Fault indication by mark in the inspection window
- Small (modular) design according to DIN 43880
- Multifunctional terminals for connection of conductors and busbars
- Easy exchange of protection modules with releasing button

DG S 600	
SPD according to EN 61643-11	Type 2
SPD according to IEC 61643-1	Class II
Max. continuous ac voltage [U _C]	600 V
Max. continuous dc voltage [U _C]	600 V
Nominal discharge current (8/20 μs) [I _n]	15 kA
Max. discharge current (8/20 μs) [I _{max}]	30 kA
Voltage protection level [U _p]	≤ 2.5 kV
Voltage protection level at 5 kA [U _p]	≤ 2 kV
Response time [t _A]	≤ 25 ns
Max. mains-side overcurrent protection	100 A gL/gG
Short circuit withstand capability at max. mains-side overcurrent protection	25 kA _{rms}
Operating temperature range [T _U]	-40°C...+80°C
Cross-sectional area (min.)	1.5 mm ² solid/flexible
Cross-sectional area (max.)	35 mm ² stranded/25 mm ² flexible
Mounting on	35 mm DIN rail acc. to EN 60715
Enclosure material	red thermoplastic, UL 94 V-0
Degree of protection	IP 20
Dimension	1 mod., DIN 43
Approvals, Certifications	KEMA, VDE
Ordering information	
Type	DG S 600
Part No.	952 076
Packing unit	1 pcs.

Change in form and technology, with masses, weights and materials we reserve ourselves in the sense of the progress of the technology. The illustrations are noncommittal.